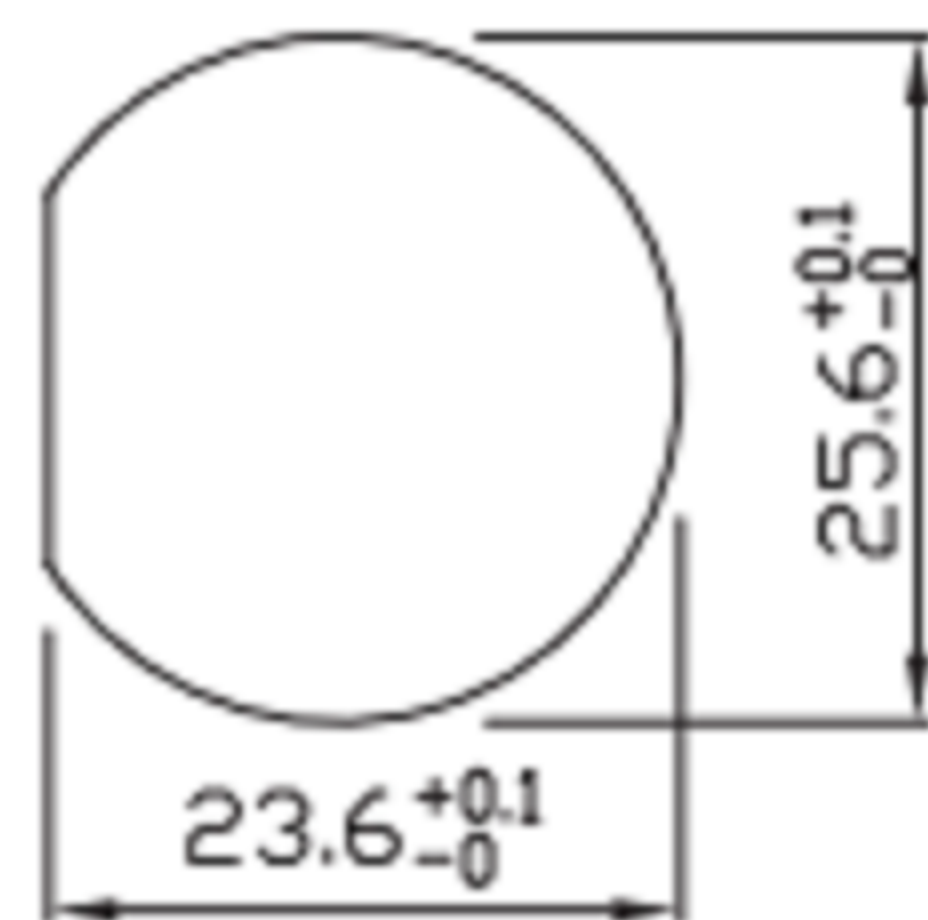
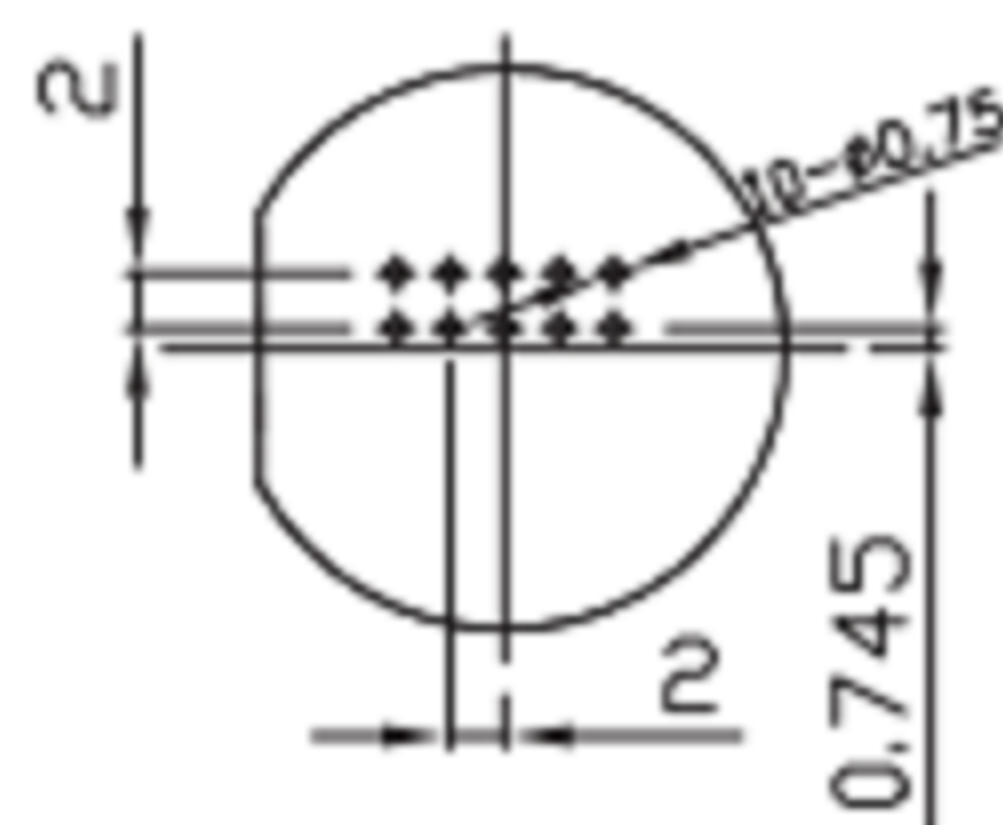


E16USB 母PCB板后插座(卡扣式)

E16USB Female Back Mount PCB Receptacle(Bayonet)

E16B - F U2 - PPF

规格:
U2: USB 2.0
U3: USB 3.0



产品参数 PRODUCT PARAMETERS

壳体材料 Shell material	高性能工程塑料/金属+塑胶 High performance engineering plastics /Metal+Plastic	插入损耗 Insertion Loss	≤0.2dB
阻燃等级 Flame retardant grade	UL94-V0	回波损耗 Return Loss	≥50dB
连接方式 Termination	焊接式/压接式/快速插拔连接 Welding/Crimping/Quick plug connect	适用温度 Working temperature	-25°C ~ +85°C
防水等级 Waterproof level	IP67, IP68	传输速率 Baud rate	≈200000000Mbit/s

东莞市高迪电子有限公司
DONG GUAN GAO DI ELECTRONICS CO., LTD

TOLERANCE UNLESS OTHERWISE STATED: Up to 5 ±0.2, Above 5 ~ 15 ±0.3, Above 15 ~ 30 ±0.4, Above 30 ~ 50 ±0.5, Angle ±0.3°

3RD. ANGEL'S

UNITS MM

DRAWN BY:	DATE	MAT'L	TITLE	CONNECTOR
Jack Lu	12/13/19			
CHECKED BY:	DATE	FINISH	MODLE	E16B - F U2 - PPF
Jacky Chen	12/13/19			
APPROVED BY:	DATE	SCALE	DWG NO.	
Tony Kao	12/13/19	1:1		
		SHEET NO.	PART NO.	
		1 of 1		

ITEM NO.	DESCRIPTION	DRAWN	DATE